

Technical Specifications

Power Supply	via Nano Relay Air
Safety Rating	IP30
Capacitive Touch	5 Touch Points, capacitive touch detection
Ambient Temperature	-20 ... 70°C / -4 ... 158°F
Humidity	max. 95% r.H. (non condensing)
Dimensions	Touch for Nano: 104x44,5x18,9mm / 4.09x1.75x0.74" (LxWxH) Touch for Nano with Nano Relay Air: 104x45x44mm / 4.09x1.77x1.73" (LxWxH)
Operation	Type 1 (IEC 60730-1, UL 60730-1)
Degree of Pollution	2
Maintenance & Cleaning	This device is free of maintenance and may only be cleaned with a dry cloth.

LOXONE

No Gimmicks.
Real Smart Homes.

LOXONE

Need Help?

loxone.com/support



Touch for Nano

Part No.: 100427 (White)

Loxone Electronics GmbH
Smart Home 1
4154 Kollerschlag
Austria

loxone.com



V240220

About the product

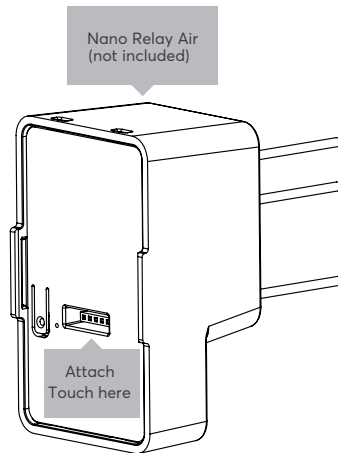
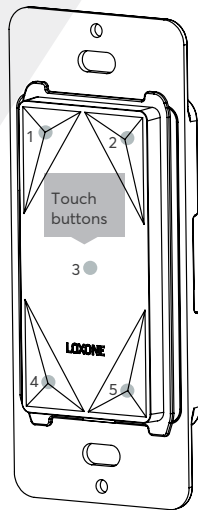
The Loxone Touch has five touch zones, which can be configured according to your needs. The large central touch zone is ideal for controlling lighting, whilst the corner zones are handy for controlling music and blinds, for example.

Features

- 5 touch buttons
- Optional click feedback

Installation

Attach the Touch on the Nano Relay Air. Install the device on the desired installation place and configure it in Loxone Config.



This folder is a part of the product!



For additional information, declaration of conformity, visit www.loxone.com/help/touch-nano-us