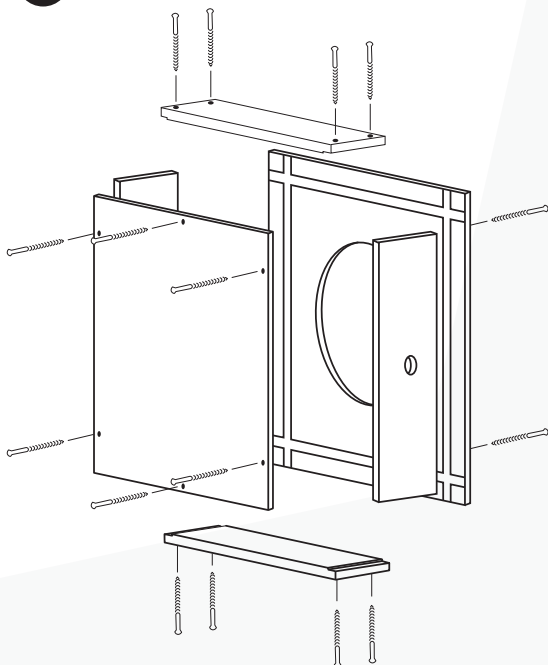


Back Box Install 10

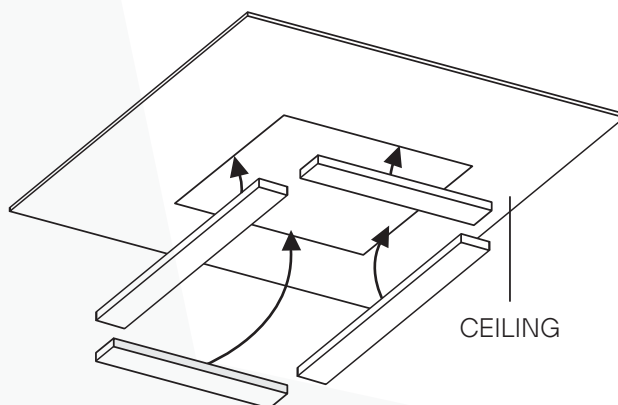
Type of construction: Suspended Ceilings

1



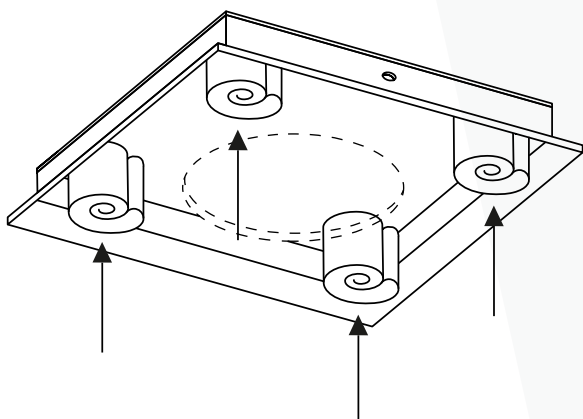
Assemble your Speaker Back Box.

2



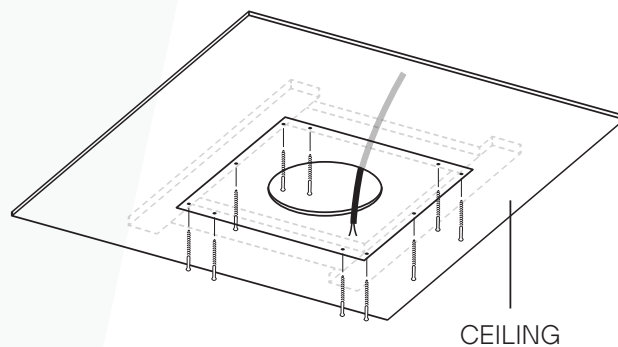
Cut a hole into the drywall (same measurement as the Back box) and fix 4 battens for mounting.

3



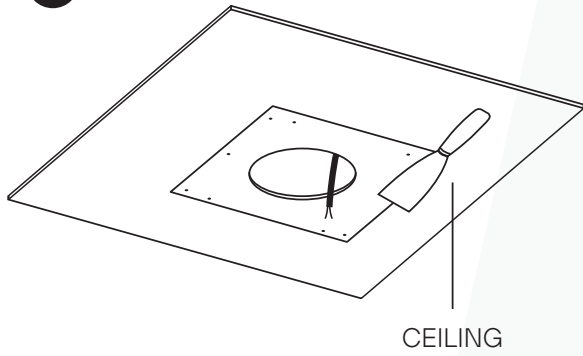
Roll up the Acousticfleece and stuff it into the corners. Note: Acousticfleece must not touch the speaker.

4



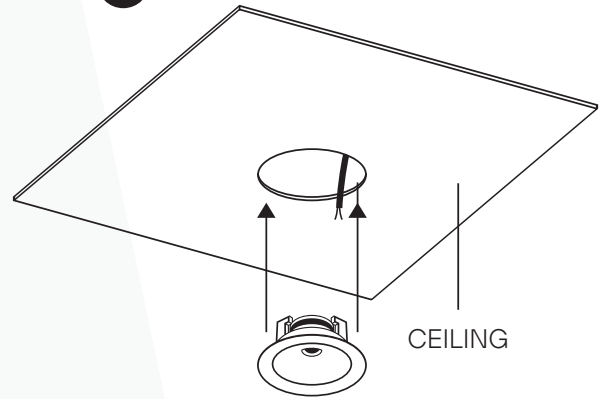
Align and mount the Speaker Back Box. Don't forget the cable!

5



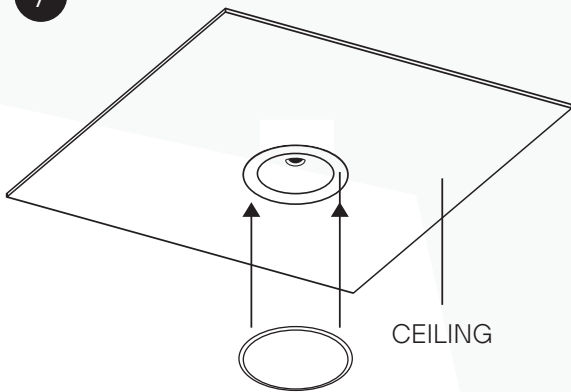
Fill the gaps and screw holes according to local standards.

6



Wire the speaker and mount it into the Speaker Back Box.

7



Fit the cover for the Install Speaker 10.

**NOW RELAX AND LISTEN
TO YOUR FAVOURITE MUSIC**

QUADRAL 